

## IPC-B621-V/Z 2 MP IR VF Network Bullet Camera



### Key Features

- 1/2.8" progressive scan CMOS
- Up to 2 megapixel
- 2.8 mm to 12 mm varifocal lens
- Up to 30 m IR range
- Dual streams
- 3D DNR
- IP67
- Mobile monitoring via Hik-Connect or iVMS-4500

## Specification

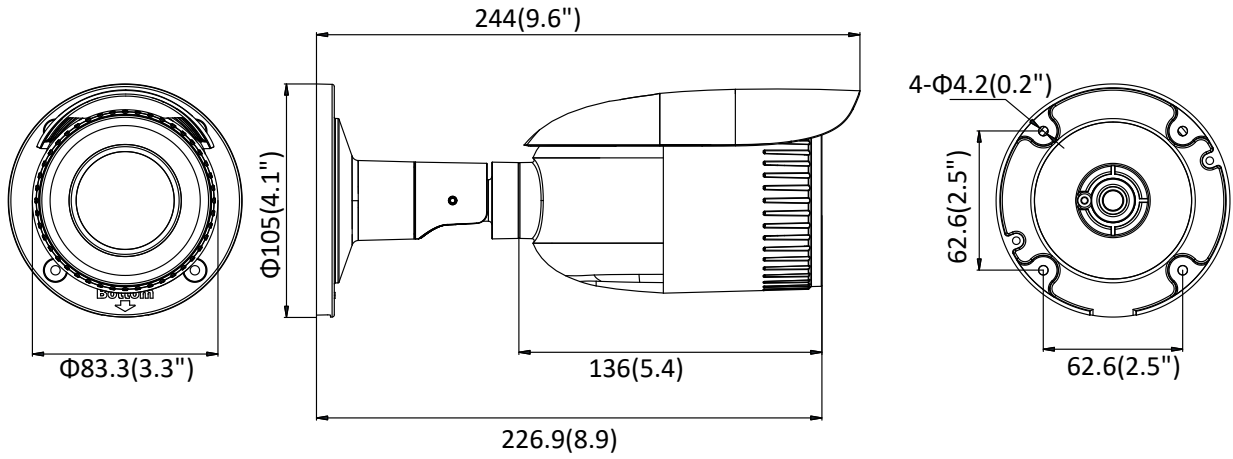
<b>Camera</b>	
Image Sensor	1/2.8" progressive scan CMOS
Min. Illumination	Color: 0.01 Lux @(F1.2, AGC ON), 0.017Lux @(F1.6, AGC ON), 0 Lux with IR
Shutter Speed	1/3 s to 1/100, 000 s, support slow shutter
Lens	2.8 mm to 12 mm @F1.6 , horizontal field of view: 111.5° to 33° vertical field of view: 58° to 18.5° diagonal field of view: 134° to 38°
Lens Mount	Φ14
Day &Night	IR cut filter with auto switch
3-Axis Adjustment	Pan: 0° to 360°, tilt: 0° to 90°, rotation: 0° to 360°
DNR (Digital Noise Reduction)	3D DNR
WDR (Wide Dynamic Range)	Digital WDR
<b>Compression Standard</b>	
Video Compression	Main stream: H.264 Sub stream: H.264/MJPEG
H.264 Type	Baseline profile/Main profile
H.264+	Main stream supports
Video Bit Rate	32 Kbps to 8 Mbps
<b>Image</b>	
Max. Resolution	1920 × 1080
Main Stream Max. Frame Rate	50Hz: 25fps @(1920 × 1080, 1280 × 960, 1280 × 720) 60Hz: 30fps @(1920 × 1080, 1280 × 960, 1280 × 720)
Sub-stream Max. Frame Rate	50Hz: 25fps @(640 × 480, 640 × 360, 320 × 240) 60Hz: 30fps @(640 × 480, 640 × 360, 320 × 240)
Image Settings	Rotate mode, brightness, saturation, contrast, sharpness are adjustable via web browser or client software
Day/Night Switch	Day, Night, Auto, Scheduled
Image Enhancement	BLC/3D DNR
<b>Network</b>	
Network Storage	Support micro SD/SDHC/SDXC card (128G), local storage, ANR
Alarm Trigger	Motion detection, video tampering, network disconnected, IP address conflict, HDD full, HDD error, PIR, illegal login
Protocols	TCP/IP, ICMP, HTTP, HTTPS, FTP, DHCP, DNS, DDNS, RTP, RTSP, RTCP, NTP, UPnP, SMTP, IGMP, 802.1X, QoS, IPv6, Bonjour
General Function	One-key reset, anti-flicker, heartbeat, mirror, password protection, privacy mask, watermark
Firmware Version	V5.5.5
API	ONVIF (PROFILE S, PROFILE G), ISAPI
Simultaneous Live View	Up to 6 channels
User/Host	Up to 32 users 3 levels: Administrator, Operator and User
Client	iVMS-4200, Hik-Connect, iVMS-5200, iVMS-4500
Web Browser	IE8+, Chrome 31.0-44, Firefox 30.0-51, Safari 8.0+
<b>Interface</b>	
Communication Interface	1 RJ45 10M/100M self-adaptive Ethernet port
Video Output (Without -Z)	1Vp-p composite output (75Ω/BNC)
On-board Storage	Built-in Micro SD/SDHC/SDXC slot, up to 128 GB
Reset	Yes

<b>General</b>	
Operating Conditions	-30 °C to 60°C (-22 °F to 140°F), humidity: 95% or less (non-condensing)
Power Supply	12 VDC $\pm$ 25%, PoE (802.3af, class 3)
Power Consumption	With Z: 12 VDC, 0.9 A, Max. 11 W PoE (802.3af, 36 V to 57 V), 0.4 A to 0.2 A, Max. 12.9 W Without Z: 12 VDC, 0.6 A, Max. 7 W PoE (802.3af, 36 V to 57 V), 0.3 A to 0.1 A, Max. 9 W
Ingress Protection	IP 67
IR Range	Up to 30 m
Material	Metal
Dimensions	$\Phi$ 105 mm $\times$ 244.4 mm (4.1" $\times$ 9.6")
Weight	705 g (1.6 lb.)

## Available Models

IPC-B621-V(2.8 to 12 mm), IPC-B621-Z(2.8 to 12 mm)

## Dimension



## Accessory



DS-1260ZJ  
Junction Box



DS-1275ZJ  
Vertical Pole Mounting Bracket



DS-1280ZJ-S  
Waterproof Junction Box



DS-1276ZJ  
Corner Mounting Bracket