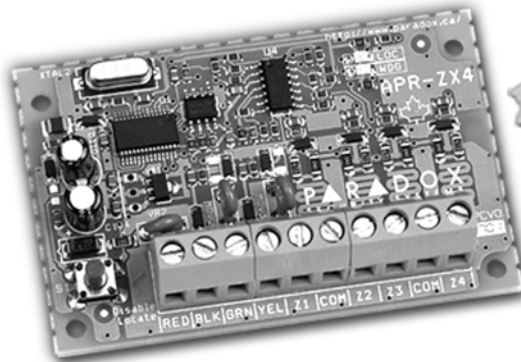


4-zone Expansion Module



APR3-ZX4

△ = Default setting

SECTION [001] : General Options

Option	OFF	ON
[1] <i>Tamper Recognition</i> <i>ON = Input 4 (Z4) becomes tamper input</i>	△ Disabled	<input type="checkbox"/> Enabled
[2] to [8] <i>Future Use</i>	<input type="checkbox"/> N/A	<input type="checkbox"/> N/A

Input Speed	Base Time (000-002)*	Time Value (000-255)	Default
<i>Input 001</i>	[002] __/__/__	[003] __/__/__	600ms
<i>Input 002</i>	[004] __/__/__	[005] __/__/__	600ms
<i>Input 003</i>	[006] __/__/__	[007] __/__/__	600ms
<i>Input 004</i>	[008] __/__/__	[009] __/__/__	600ms
<i>Input 005 (ATZ of Input 001)</i>	[010] __/__/__	[011] __/__/__	600ms
<i>Input 006 (ATZ of Input 002)</i>	[012] __/__/__	[013] __/__/__	600ms
<i>Input 007 (ATZ of Input 003)</i>	[014] __/__/__	[015] __/__/__	600ms
<i>Input 008 (ATZ of Input 004)</i>	[016] __/__/__	[017] __/__/__	600ms

* For the Base Time, using Level Programming (refer to page 1), press the and buttons to select a value from 000 to 002 and then press [ENTER]. Base Time Multipliers: 000 = 15 ms, 001 = 1 second, 002 = 1 minute.

Module Connection Drawings

MODULE CONNECTION OVERVIEW

Figure 1: Connecting the Combustion

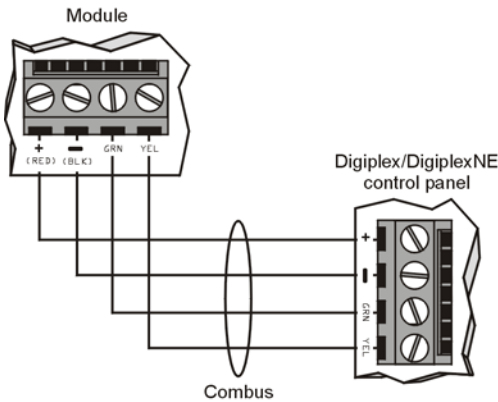


Figure 2: Connecting a 5A PGM Output

Some modules' PGM output(s) comprises of one or more 5A relays. Connect the PGM output as shown below. For the external power supply, we recommend the DGP2-PS17 Power Supply Module.

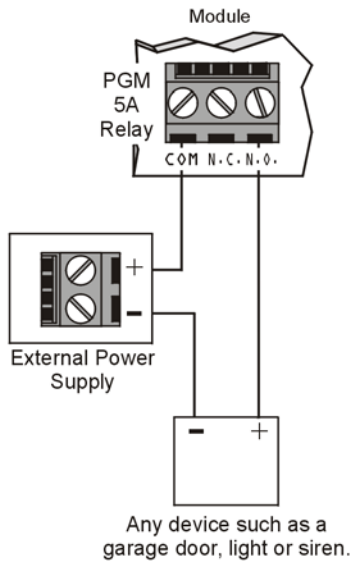
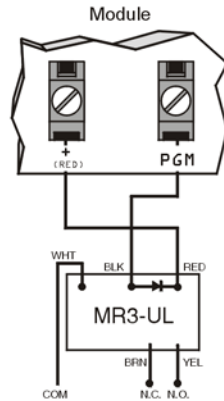


Figure 3: Connecting a 50mA PGM Output

Some modules' PGM output comprise of one 50mA output. Connect the PGM output as shown below.



Module LED Indications

Green "LOCATE" LED (sometimes seen as "LOC" or "LC"):
Power Up: Remains illuminated during power up.

Locate: If the LED flashes fast during normal operation, it is receiving a "locate" request from the control panel. Depending on the module, the "locate" request can be disabled by pressing on the tamper switch or on the "Disable Locate" switch.

Red "WATCHDOG" LED (sometimes seen as "WDG", "WTDG" or "WD"):
Status: Flashes to indicate proper operation.

Communication Failure:
 If both the "LOCATE" and "WATCHDOG" LEDs are alternately flashing, the module is experiencing a communication failure with the control panel.

Green "BATT" LED (DGP2-ACM1P and DGP2-PS17 only):
Charging and battery test LED (every 60 seconds).

Green "RX" LED (OMN-RCV3 only):
Flashing: The wireless receiver module is receiving a signal from a wireless device.

Red "TX" LED (APR3-PRT1 only):
Flashing: The printer module is transmitting data through the serial port.

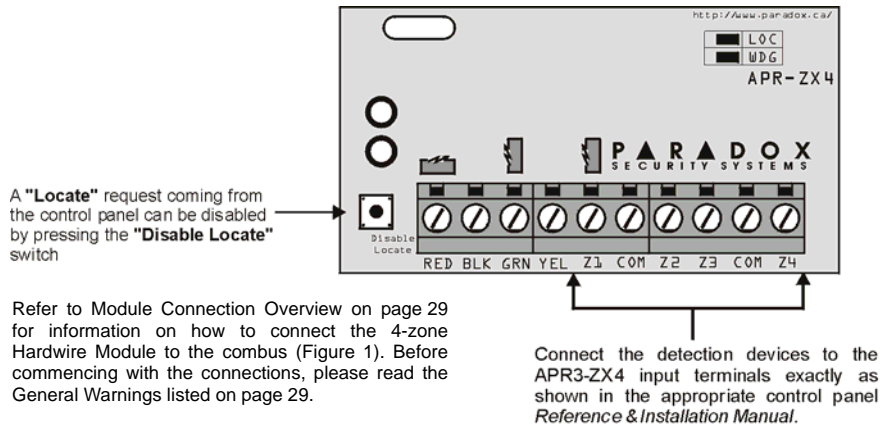
Green "PULSE" LED (APR3-ADM2 only):
 Will illuminate whenever the APR3-ADM2 is using its dialer. The "PULSE" LED will remain illuminated for the whole duration that the dialer is being used.

▲ GENERAL WARNINGS ▲

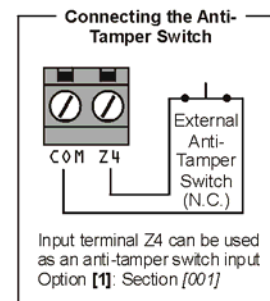
⚠ Remove AC and battery power from the control panel before connecting the module to the combust.

⚠ Refer to the appropriate control panel's *Reference & Installation Manual* for the maximum allowable installation distance from the control panel.

4-ZONE EXPANSION MODULE (APR3-ZX4)



For information on the 4-zone Hardwire Module's LEDs, refer to Module LED Indications on page 29.



P ▲ R ▲ D O X[®]
S E C U R I T Y S Y S T E M S
780 Industriel Blvd, Saint-Eustache (Quebec), J7R 5V3 CANADA
Tel.: (450) 491-7444 Fax: (450) 491-2313
www.paradox.ca

