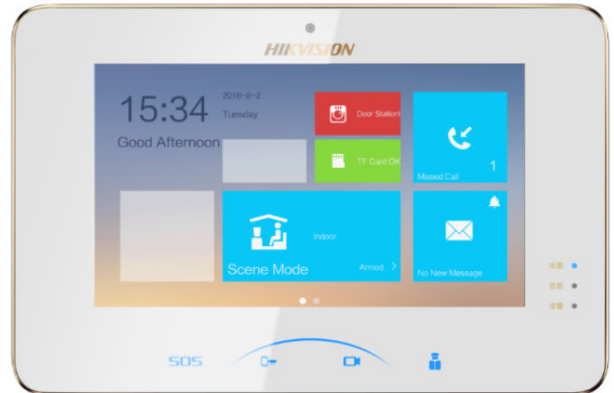


DS-KH8300-T

Indoor Video Intercom Station with 7-inch Touch Screen

- 7-inch Color FTF LCD with 1024 x 600 Resolution
- Capacitive Touch Screen
- 8-ch Alarm Input Sensors
- Auto Uploads Alarms to Stations, Client, or App
- Noise Suppression and Echo Cancellation
- Monitors Door Stations and External Cameras
- Remote Unlocking via Client or App
- High-Performance SOC Processor
- MicroSD Card Support



The Hikvision DS-KH8300-T Video Intercom Indoor Station offers hands-free audio-visual communication between the door station and the master station.

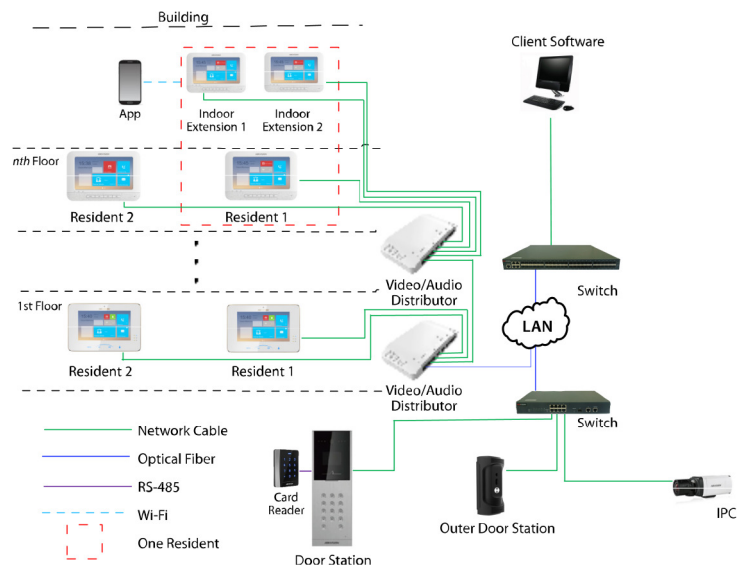
The DS-KH8301-T features a robust message notification function, including written and voice messages, and automatically uploads alarm messages to the master station or the client software.

The DS-KH8300-T also provides two-way talk between the door station, master station, and management center.

DS-KH8301-T couples HD video surveillance with high performance CMOS technology in a 0.3 MP resolution camera. Mounting can be to a standard U.S. single or double gang box for easy installation.

Available model: DS-KH8300-T

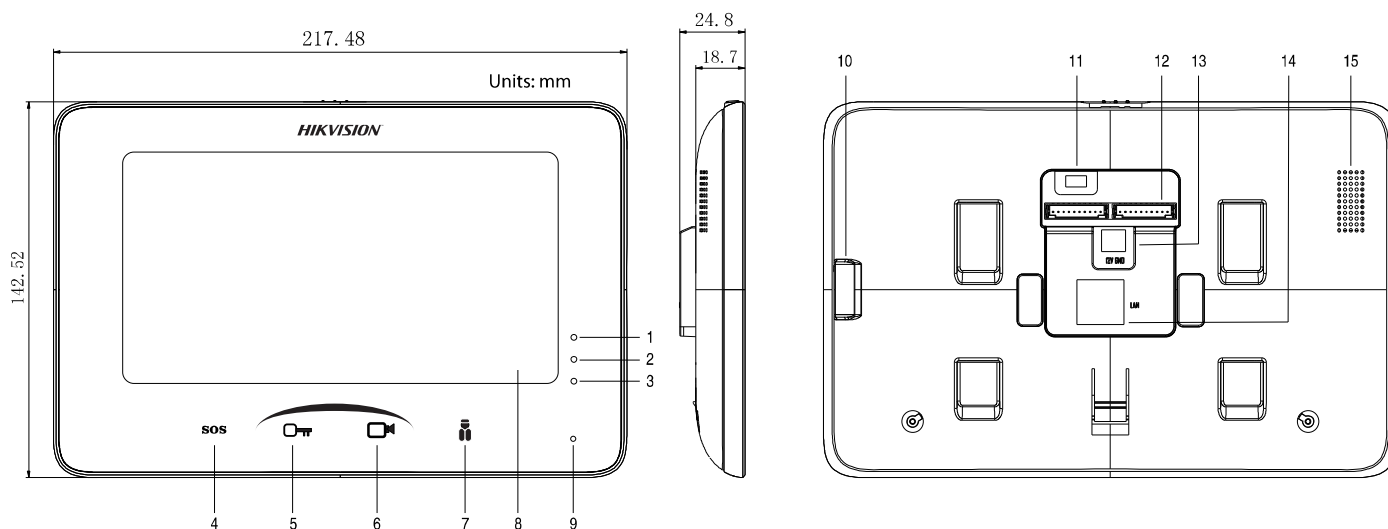
Typical Application



Specifications

DS-KH8300-T	
System	
Processor	High-performance embedded SOC processor
Operating System	Embedded Linux operating system
Display	
Display Screen	7-Inch color TFT LCD
Display Resolution	1024 × 600
Operation Method	Capacitive touch screen, touch key
Operation Interface	Flattened UI operation interface
Audio	
Audio Input	Built-in omni-directional microphone
Audio Output	Built-in loudspeaker
Audio Compression Standard	G.711 U
Audio Compression Rate	64 Kbps
Audio Quality	Noise suppression and echo cancellation
Network	
Ethernet	10/100 Mbps self-adaptive Ethernet
Network Protocol	TCP/IP, RTSP
Alarm	
Alarm Input	8-ch alarm input sensor
Device Interfaces	
Network Interface	1 RJ-45 10/100 Mbps self-adaptive Ethernet interface
RS-485	1 RS-485 half-duplex port
I/O Output	2
MicroSD Card	Maximum 32 GB
General	
Memory	256 MB
Power Supply	24 VDC, power over network cable (DS-KAD606-P) 12 VDC
Power Consumption	≤ 10 W
Working Temperature	14° to 131° F (-10° to + 55° C)
Working Humidity	10% to 90%
Dimensions (L × W × H)	8.5" × 5.6" × 1.0" (217 mm × 142 mm × 26 mm)
Certifications	CE, FCC, UL 60950-1, IC, C-TICK, ROHS, REACH, WEEE

Legend and Dimensions



Mounting: Standard U.S. single or double gang box

1	Power supply indicator	9	Microphone
2	Information indicator	10	MicroSD card slot
3	Alarm indicator	11	Serial port
4	SOS touch key	12	Terminals
5	Unlock touch key	13	Power supply interface
6	Live View touch key	14	Network interface
7	Management Center touch key	15	Loudspeaker
8	LCD screen		