

DS-7608NI-G2/4P Series NVR



Features and Functions

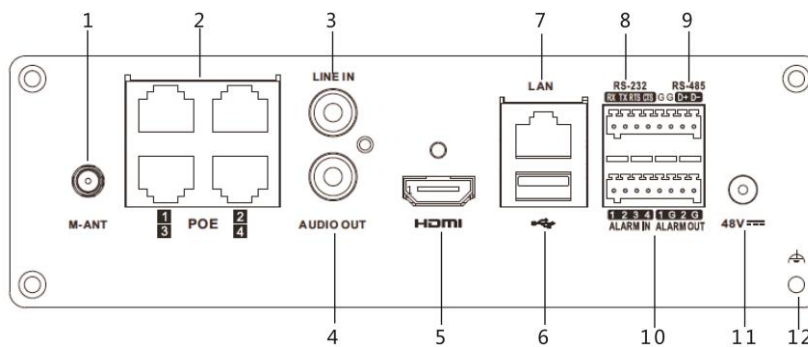
- Connectable to the third-party network cameras like ACTI, Arecont, AXIS, Bosch, Brickcom, Canon, ONVIF, PANASONIC, Pelco, PSIA, SAMSUNG, SANYO, SONY, Vivotek and ZAVIO.
- Up to 8 network cameras can be connected.
- Support live view, storage, and playback of the connected camera with up to the resolution of 6 megapixels.
- HDMI output at up to 1920×1080 resolution.
- New GUI and support starting record with one key.
- Holiday recording.
- Realize instant playback for assigned channel during multi-channel display mode.
- Up to 8-ch synchronous playback at 720P resolution.
- Customization of tags, searching, and playing back by tags.
- Locking and unlocking record files.
- Support HDD quota mode; different capacity can be assigned to different channel.
- Two 2.5-inch HDD/SSD disks can be connected.
- 1 self-adaptive 10M/100M/1000M network interface and 4 independent PoE network interfaces are provided.
- Support Hikvision DDNS (Dynamic Domain Name System).
- Support network detection, including network delay, packet loss, etc.



Specifications

Model	DS-7608NI-G2/4P	
Video/Audio input	IP video input	8-ch
	Two-way audio input	1-ch, RCA (2.0 Vp-p, 1kΩ)
Network	Incoming bandwidth	80Mbps
	Outgoing bandwidth	80Mbps
	Remote connection	128
Video/Audio output	Recording resolution	6MP/5MP/3MP/1080P/UXGA/720P/VGA/4CIF/DCIF/2CIF/CIF/QCIF
	Frame rate	Main stream: 50 fps (P) / 60 fps (N)
		Sub-stream: 50 fps (P) / 60 fps (N)
	HDMI output	1-ch, resolution: 1920 × 1080 /60Hz, 1600 × 1200 /60Hz, 1280 × 1024 /60Hz, 1280 × 720 /60Hz, 1024 × 768 /60Hz
Audio output	1-ch, RCA (Linear, 1kΩ)	
Decoding	Live view / Playback resolution	6MP/5MP/3MP/1080P/UXGA/720P/VGA/4CIF/DCIF/2CIF/CIF/QCIF
	Capability	8-ch@720P, 6-ch@1080P
Hard disk	SATA	2 interfaces for 2 HDDs (2.5-inch)
	HDD Capacity	512GB/1TB
	SSD Capacity	256GB/512GB/1TB/240GB/480GB/960GB
External interface	Network interface	1 RJ-45 10 /100 /1000 Mbps self-adaptive Ethernet interface
	Serial interface	1 RS-232, 1 RS-485
	USB interface	1 × USB 3.0
	Alarm in/out	4/2
PoE interface	PoE interface	4 independent 10 /100 Mbps built-in switch network interfaces
	Power	≤ 50W
General	Power supply	48V DC
	Consumption (without hard disk)	≤ 10W (without working PoE)
	Working temperature	With SSD disk: -10 °C ~ +70 °C (+14 °F ~ +158 °F) With HDD disk: -10 °C ~ +60 °C (+14 °F ~ +140 °F)
	Working humidity	10 % ~ 90 %
	Dimensions (W × D × H)	204 × 150 × 65 mm (8 × 5.9 × 2.6 inch)
	Weight (without hard disk)	≤ 1.4 kg (3.1 lb)

Physical Interfaces



Index	Name	Index	Name
1	M-ANT	8	RS-232 Interface
2	PoE	9	RS-485 Interface
3	Line In	10	ALARM IN
4	Audio Out		ALARM OUT
5	HDMI Interface	11	Power Supply
6	USB Interface	12	Ground
7	LAN Network Interface		

Available Models

DS-7608NI-G2/4P

Distributed by



Headquarters

No.555 Qianmo Road, Binjiang District,
Hangzhou 310051, China
T +86-571-8807-5998
overseasbusiness@hikvision.com

Hikvision USA
T +1-909-895-0400
sales.usa@hikvision.com

Hikvision Italy
T +39-0438-6902
info.it@hikvision.com

Hikvision Singapore
T +65-6684-4718
sg@hikvision.com

Hikvision Europe
T +31-23-5542770
saleseuro@hikvision.com

Hikvision France
T +33(0)1-85-330-444
info.fr@hikvision.com

Hikvision Oceania
T +61-2-8599-4233
salesau@hikvision.com

Hikvision Middle East
T +971-4-8816086
salesme@hikvision.com

Hikvision Spain
T +34-91-737-16-55
info.es@hikvision.com

Hikvision Hong Kong
T +852-2151-1761

Hikvision Russia
T +7-495-669-67-99
saleru@hikvision.com

Hikvision Poland
T +48-22-460-01-50
poland@hikvision.com

Hikvision Canada
T +1-909-895-0400
sales.usa@hikvision.com

Hikvision India
T +91-22-28469900
sales@pramahikvision.com

Hikvision UK
T +44-1628-9021-4
support.uk@hikvision.com