

## DS-2XM6212FWD-I(M) 1.3 MP Mobile Network Camera



### Key Features

- 1/2.7" Progressive Scan CMOS
- 2.8 mm, 4 mm, 6 mm, 8 mm, and 12 mm, optional
- 1280 × 960 resolution
- H.265, H.265+, H.264+, H.264
- 120dB WDR
- IP67
- IR range: 10 to 30 meters
- Image enhancement: BLC, 3D DNR, HLC, defog, EIS
- 6 behavior analyses, 2 exception detections and face detection



## Specifications

| <b>Camera</b>               |  |
|-----------------------------|--|
| Image Sensor                | 1/2.7" Progressive Scan CMOS   |
| Min. Illumination           | Color: 0.018 lux @(F1.2, AGC ON)<br>B/W: 0.006 lux @(F1.2, AGC ON), 0 lux with IR  |
| Shutter Speed               | 1/3 s to 1/100,000 s   |
| Slow Shutter                | Yes  |
| Day & Night                 | IR Cut Filter  |
| Digital Noise Reduction     | 3D DNR   |
| WDR                         | 120dB  |
| 2-Axis Adjustment           | Pan: -20° to 20°, tilt: -15° to 20°  |
| <b>Lens</b>                 |  |
| Focal length                | 2.8 mm, 4 mm, 6 mm, 8 mm, and 12 mm, optional  |
| Aperture                    | F2.0   |
| FOV                         | 2.8 mm: horizontal FOV 115°, vertical FOV 62°, diagonal FOV 135°<br>4 mm: horizontal FOV 87°, vertical FOV 48°, diagonal FOV 102°<br>6 mm: horizontal FOV 60°, vertical FOV 32.4°, diagonal FOV 70°<br>8 mm: horizontal FOV 41°, vertical FOV 23.2°, diagonal FOV 47.6°<br>12 mm: horizontal FOV 26.5°, vertical FOV 15°, diagonal FOV 30.5° |
| Lens Mount                  | M12  |
| <b>IR</b>                   |  |
| IR Range                    | 10 to 30 m   |
| Wavelength                  | 850nm  |
| <b>Compression Standard</b> |  |
| Video Compression           | Main stream: H.265/H.264<br>Sub stream: H.265/H.264/MJPEG<br>Third stream: H.265/H.264   |
| H.264 Type                  | Baseline Profile/Main Profile/High Profile   |
| H.264+                      | Yes  |
| H.265 Type                  | Main Profile   |
| H.265+                      | Yes  |
| Video Bit Rate              | 32 Kbps to 16 Mbps   |
| <b>Smart Feature-set</b>    |  |
| Behavior Analysis           | Line crossing detection, intrusion detection, region entrance detection, region exit detection, unattended baggage detection, object removal detection   |
| Exception                   | Scene change detection, defocus detection  |
| Face Detection              | Yes  |
| Region of Interest          | Support 4 fixed regions for each stream, and dynamic face tracking   |
| <b>Image</b>                |  |
| Max. Resolution             | 1280 × 960   |
| Main Stream                 | 50Hz: 25fps (1280 × 960, 1280 × 720)<br>60Hz: 30fps (1280 × 960, 1280 × 720)   |
| Sub Stream                  | 50Hz: 25fps (704 × 576, 352 × 288, 640 × 480, 320 × 240)<br>60Hz: 30fps (704 × 480, 352 × 240, 640 × 480, 320 × 240)   |
| Third Stream                | 50Hz: 25fps (1280 × 960, 1280 × 720, 704 × 576, 352 × 288, 640 × 480, 320 × 240)<br>60Hz: 30fps (1280 × 960, 1280 × 720, 704 × 480, 352 × 240, 640 × 480, 320 × 240)   |

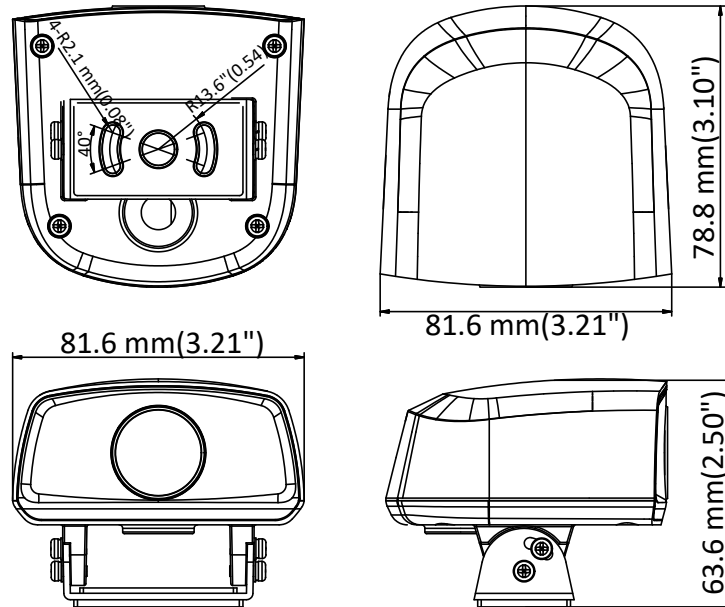
|                               |   |
|-------------------------------|---|
| Image Enhancement             | BLC, 3D DNR, HLC, defog, EIS  |
| Image Setting                 | Rotate mode, saturation, brightness, contrast, sharpness, AGC, and white balance are adjustable by client software or web browser               |
| Day/Night Switch              | Auto/Schedule   |
| Target Cropping               | Yes   |
| Picture Overlay               | Logo picture can be overlaid on video with 128 × 128 24bit bmp format, region optional  |
| <b>Network</b>                |   |
| Network Storage               | Support microSD/SDHC/SDXC card (128 GB) local storage and NAS (NFS,SMB/CIFS), ANR   |
| Alarm Trigger                 | Motion detection, video tampering, network disconnected, IP address conflict, illegal login, HDD full, HDD error                                |
| Protocols                     | TCP/IP, ICMP, HTTP, HTTPS, FTP, DHCP, DNS, DDNS, RTP, RTSP, RTCP, PPPoE, NTP, UPnP™, SMTP, SNMP, IGMP, 802.1X, QoS, IPv6, UDP, Bonjour          |
| General Function              | One-key reset, anti-flicker, three streams, heartbeat, mirror, password protection, privacy mask, watermark, IP address filter                  |
| API                           | ONVIF (PROFILE S, PROFILE G), ISAPI   |
| Simultaneous Live View        | Up to 6 channels  |
| User/Host                     | Up to 32 users<br>3 levels: Administrator, Operator and User  |
| Client                        | iVMS-4200, Hik-Connect, iVMS-5200   |
| Web Browser                   | IE8+, Chrome 31.0-44, Firefox 30.0-51, Safari 8.0+  |
| <b>Interface</b>              |   |
| Communication Interface       | DS-2XM6212FWD-I: 1 RJ45 10M/100M self-adaptive Ethernet port<br>DS-2XM6212FWD-IM: 1 M12 aviation plug   |
| On-board storage              | Built-in micro SD/SDHC/SDXC slot, up to 128 GB  |
| SVC                           | Yes   |
| Reset Button                  | Yes   |
| <b>General</b>                |   |
| Operating Conditions          | -30 °C to +65 °C (-22 °F to +149 °F), Humidity 95% or less (non-condensing)   |
| Power Supply                  | 12 VDC ±20%, PoE (802.3af, class 3)<br>DS-2XM6212FWD-I: Coaxial power plug (∅ 5.5 mm) for DC input<br>DS-2XM6212FWD-IM: Molex plug for DC input |
| Power Consumption and Current | 12 VDC, 0.43 A, max. 4W<br>PoE (802.3af, 36V to 57V), 0.14 A to 0.09 A, max. 5.2 W  |
| Protection Level              | IP67  |
| Material                      | Aluminum alloy  |
| Dimensions                    | 78.8 × 81.6 × 64 mm (3.10" × 3.21" × 2.52")   |
| Weight                        | Camera: Approx. 330 g (0.73 lb.)  |

## Available Model:

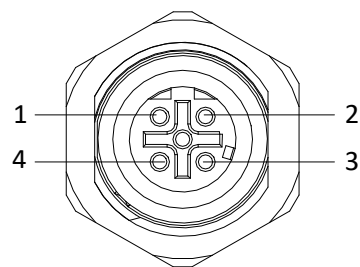
DS-2XM6212FWD-I, DS-2XM6212FWD-IM

*\*The memory card slot is built inside the shell. If the memory card is required, it is recommended to order and have it installed in factory.*

**Dimensions**

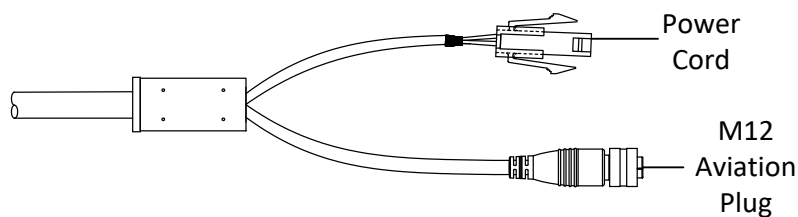


**Interface Description**

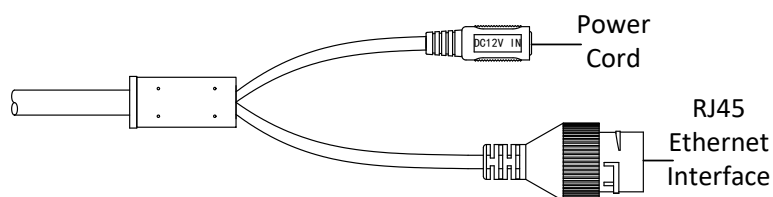


|     | M12 Wire | R-J45 Wire |
|-----|----------|------------|
| TX+ | 1        | 1          |
| TX- | 3        | 2          |
| RX+ | 2        | 3          |
| RX- | 4        | 6          |

**M12 Interface Description**



**DS-2XM6212FWD-IM Cable Interface Description**



**DS-2XM6212FWD-I Cable Interface Description**

Distributed by

**HIKVISION®****Headquarters**

No.555 Qianmo Road, Binjiang District,  
Hangzhou 310051, China  
T +86-571-8807-5998  
overseasbusiness@hikvision.com

**Hikvision USA**  
T +1-909-895-0400  
sales.usa@hikvision.com

**Hikvision Italy**  
T +39-0438-6902  
info.it@hikvision.com

**Hikvision Singapore**  
T +65-6684-4718  
sg@hikvision.com

**Hikvision Africa**  
T +27 (10) 0351172  
sale.africa@hikvision.com

**Hikvision Europe**  
T +31-23-55-42-770  
info.eu@hikvision.com

**Hikvision France**  
T +33(0)1-85-330-450  
info.fr@hikvision.com

**Hikvision Oceania**  
T +61-2-8599-4233  
salesau@hikvision.com

**Hikvision Hong Kong**  
T +852-2151-1761

**Hikvision Middle East**  
T +971-4-8816086  
salesme@hikvision.com

**Hikvision Spain**  
T +34-91-737-16-55  
info.es@hikvision.com

**Hikvision Canada**  
T +1-909-895-0400  
sales.usa@hikvision.com

**Hikvision Russia**  
T +7-495-669-67-99  
saleru@hikvision.com

**Hikvision Poland**  
T +48-22-460-01-50  
poland@hikvision.com

**Hikvision Korea**  
T +82-31-731-8841  
sales.korea@hikvision.com

**Hikvision India**  
T +91-22-28469900  
sales@pramahikvision.com

**Hikvision UK**  
T +01628-902140  
support.uk@hikvision.com

**Hikvision Brazil**  
T +55 11 3318-0050  
Latam.support@hikvision.com